

**CONVERTIBLE C-44  
ENERGY-SAVING  
DISHWASHER**

- Energy Efficient – High production 203 Racks/Hour and Readily Convertible to:

**Hot Water Sanitizing** – 160°F Wash Temperature and 180°F Final Rinse.

**Chemical Sanitizing** – 140°F Wash and 140°F Minimum Final Rinse Temperature,

Injection of Sodium Hypochlorite\* required.

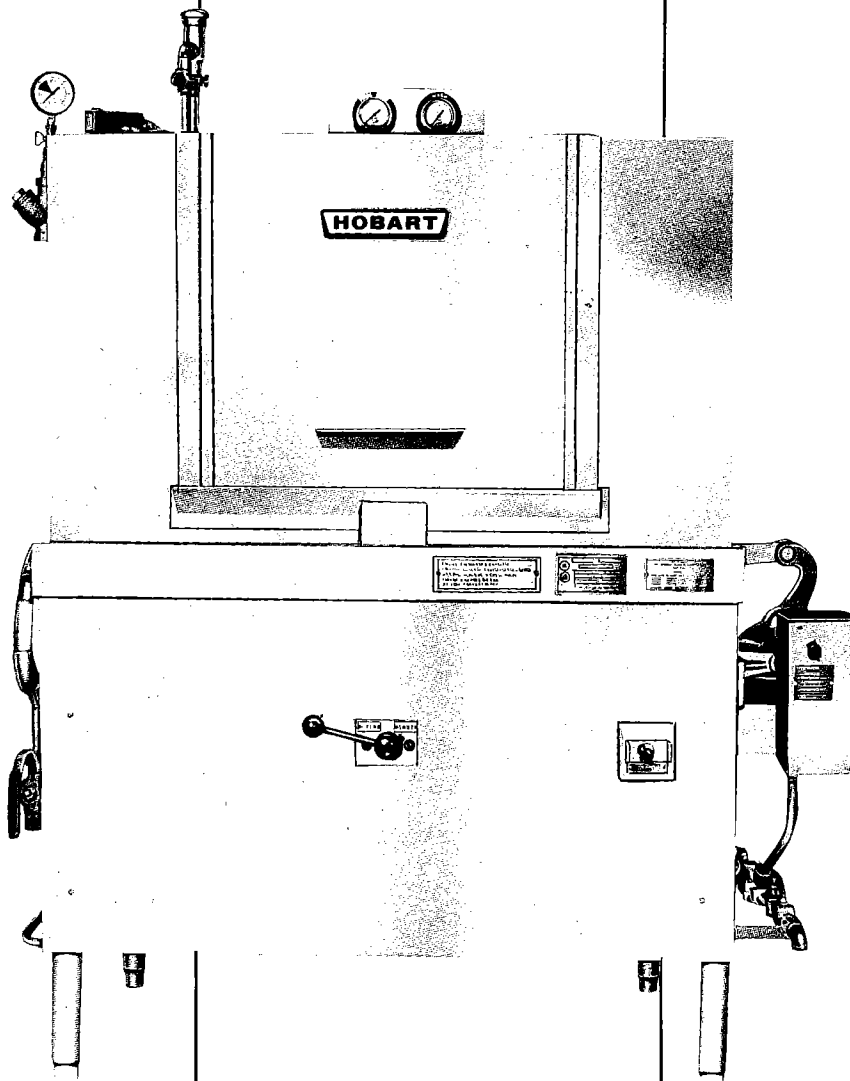
- Solid state control of wash water temperature and positive low water protection for heater.
- Choice of Electric Heat, Gas, Steam Injectors or Coils.
- Low-energy consumption (1.53 gallons/rack rinse system).
- Inspection Door Interlocks.

All of these features make this Hobart Conveyorized Energy-

Saving Dishwasher an outstanding value for exceptional dishwashing performance for low operating costs and built-in Hobart reliability.

**\*CAUTION – CERTAIN MATERIALS, INCLUDING SILVER, ALUMINUM AND PEWTER ARE ATTACKED BY SODIUM HYPOCHLORITE (BLEACH).**

Specifications, Details, Dimensions and Connections inside.



LOWER FRONT PANEL NOT STANDARD

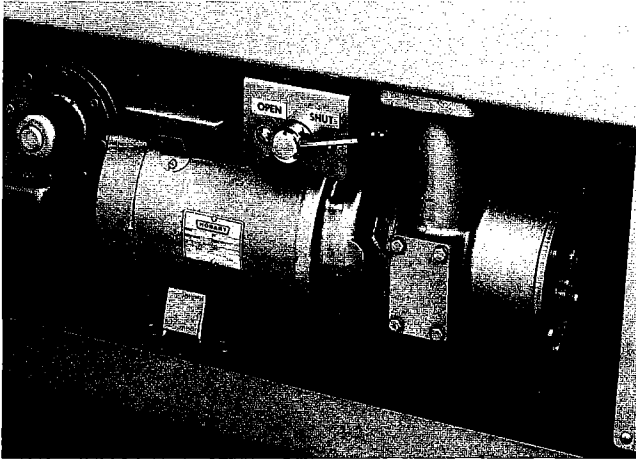
# HOBART

FOOD EQUIPMENT

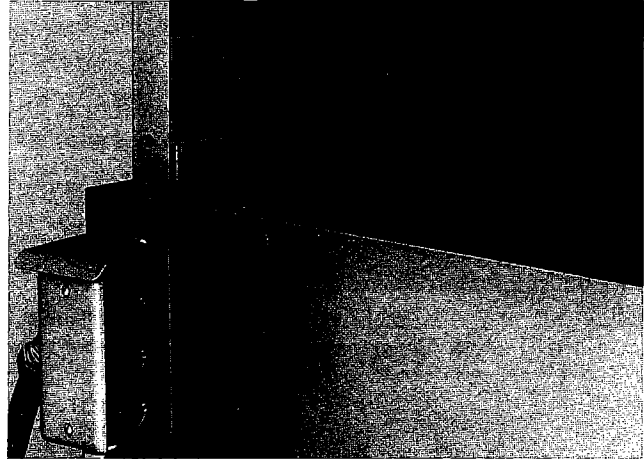
## C-44 DISHWASHER

### STANDARD EQUIPMENT ... FEATURES OF ADVANCED ENGINEERING

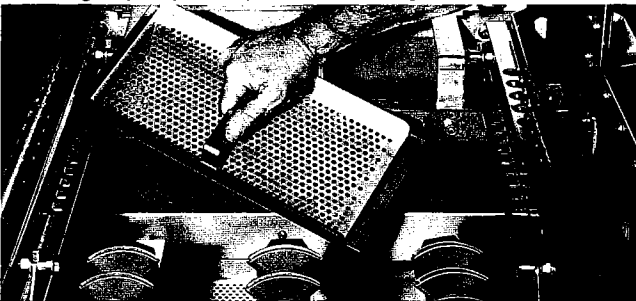
Inside and out the C-Line Hobart dishwashers are packed with standard components and design innovations that make them the biggest value in the dishwasher industry.



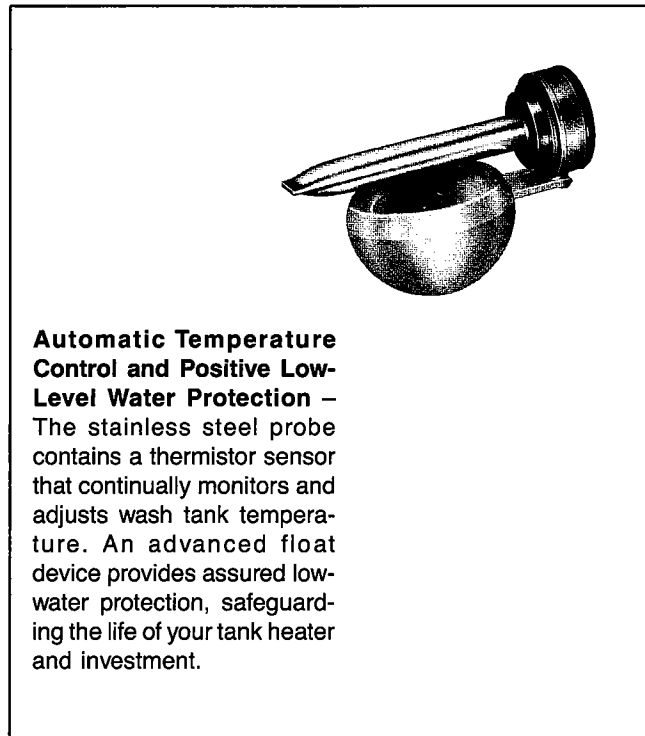
**Integral Hobart-built motor and impeller** feature quiet operation, long life and removable front and end plates for easy cleaning of pump. Pump is self-draining.



**Electrically controlled rinse valve** is energized by rack contact with trip arm ... assures fresh hot water rinse.



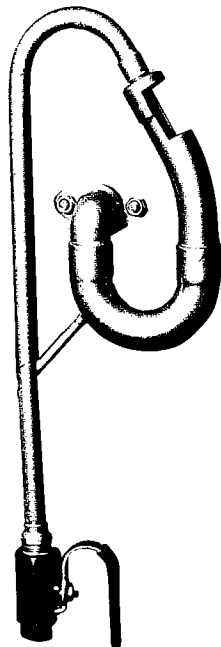
**Clean Line Interior** ... Lift out stainless steel scrap pans which have perforations sized to prevent wash arm clogging.



#### **Automatic Temperature Control and Positive Low-Level Water Protection** –

The stainless steel probe contains a thermistor sensor that continually monitors and adjusts wash tank temperature. An advanced float device provides assured low-water protection, safeguarding the life of your tank heater and investment.

**Jet-type fill** with air break and suds trap is mounted up front at end of dishwasher below table level. Fill valve features stainless steel seat.





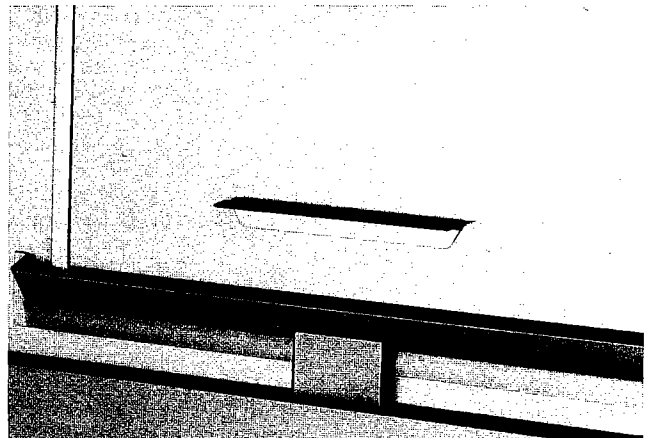
FOOD EQUIPMENT

C-44  
DISHWASHER

## STANDARD EQUIPMENT ... FEATURES OF ADVANCED ENGINEERING



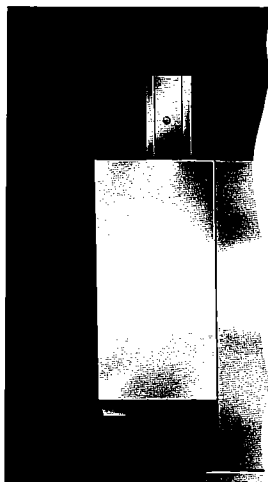
**Easily removable washarms cut routine maintenance time to a minimum.** Upper and lower spray assemblies feature stainless steel directional jets with unrestricted openings for high velocity coverage of all tableware. Separate upper and lower spray assemblies for each wash and rinse compartment. All assemblies are easily removed without tools.



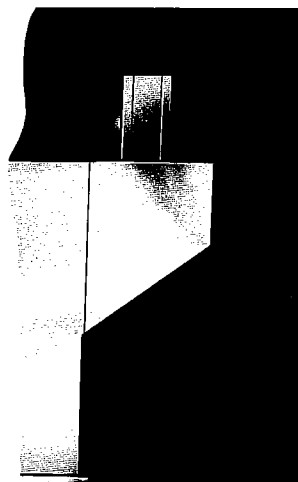
**Door Interlock** – Will not allow pumps to operate with doors open.

## OPTIONAL FEATURES AND ACCESSORIES ... AVAILABLE AT EXTRA COST

Flexibility is synonymous with Hobart C-Line dishwashers. If your operation demands a dishwasher with a vent hood, an extended hood ... a recirculating prewash, just specify the combination of option that suits your needs. Those listed below are but a few among the wide selection.



**Extended Hood**



**Vent Hood**

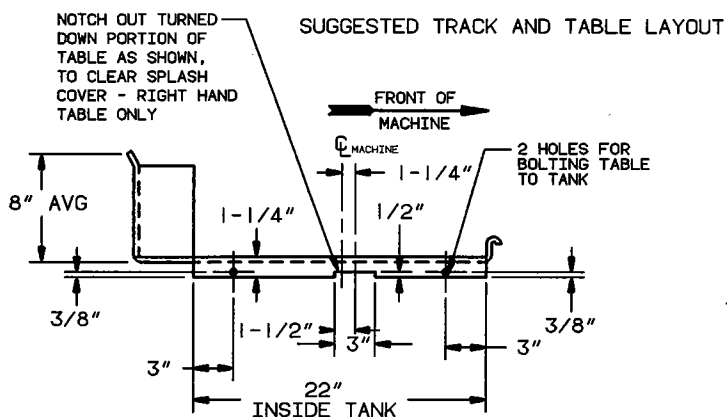
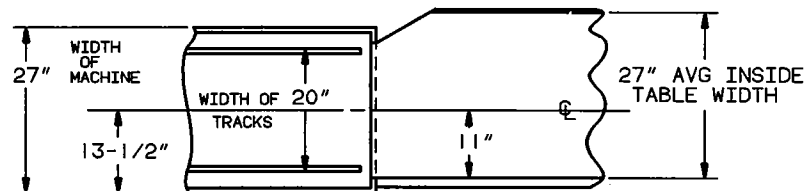
C-Line dishwashers are available with vent hoods or extended hoods, each with vent stack and locking-type damper, and both designed to fit either end of the dishwasher ... even to install on a fresh water prewash or recirculating water prewash.

- **Gas burner** in air insulated burner box with sliding door access to pilot for inspection and lighting convenience.
- **Stainless steel enclosure panel.** All "C" Model Hobart dishwashers are available with stainless steel front enclosure panels for deluxe, clean line appearance. Panels are easily removed for maintenance access.
- **Stainless steel leg trim** ... Available for installation over standard legs where deluxe installations are desired. Where ultimate appearance is appropriate, stainless steel feet – even stainless steel frame with stainless steel legs is available.
- **C-Line Energy Saving Auto-Timer Control package when ordered.** Field kit auto-timer control package also available (both packages require some installation).

## DETAILS, DIMENSIONS AND CONNECTIONS RIGHT TO LEFT OPERATION

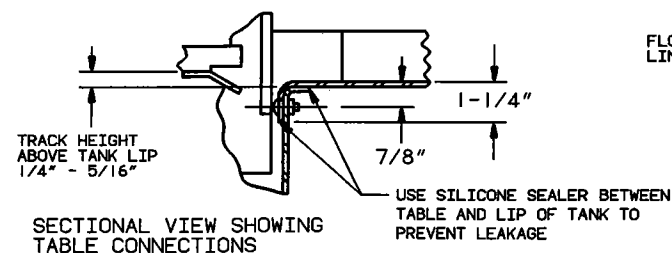
CONNECTION INFORMATION \*AFF - ABOVE FINISHED FLOOR

NO.	UTILITY CONNECTIONS	CONN. SIZE AT MACHINE	DIM. AFF*	DIM. FROM A-A	DIM. FROM B-B
1	140°F WATER MIN LOW TEMP ** 180°F WATER MIN HIGH TEMP ** FINAL RINSE -	3/4" FPT	52-5/8"	25-3/4"	14-1/2"
2	FILL - 140°F WATER MIN	1/2" FPT	16-1/8"	23-1/2"	7"
3	ELECTRICAL CONNECTION (EXCEPT ELECTRIC HEAT)	3/4" KNOCKOUT	12"	15-7/8"	9-1/2"
4	STEAM INJECTOR - 10 TO 25 PSI FLOWING, 50 PSI MAX (WHEN ORDERED)	3/4" FPT	6-7/8"	26-7/8"	9-5/8"
5	STEAM COIL - 10 TO 25 PSI FLOWING, 50 PSI MAX (WHEN ORDERED)	3/4" FPT	6-7/8"	26-7/8"	9-3/4"
6	CONDENSATE RETURN (STEAM COIL) - 10 TO 50 PSI FLOWING, (WHEN ORDERED) (BUCKET TYPE TRAP FURNISHED)	3/4" FPT	4-1/2"	28-1/2"	3"
7	GAS - (WHEN ORDERED)	3/4" FPT	7-3/4"	26-5/8"	9-5/8"
8	DRAIN - DISHWASHER UNIT ***	2" FPT	7"	2-1/2"	2-1/2"
9	ELECTRIC HEAT - 15,000 WATTS WASH TANK - (WHEN ORDERED)	1-1/4" KNOCKOUT	19-3/4"	28-3/4"	9-7/8"
10	RINSE AGENT FEEDER - REMOVE 1/8" NPT PIPE PLUG TO ACCESS TAPPED HOLE.	1/8" NPT	59-1/2"	18-3/4"	11-1/8"
11	SANITIZER FEEDER - REMOVE 1/8" NPT PIPE PLUG TO ACCESS TAPPED HOLE.	1/8" NPT	59-1/2"	18-3/4"	9-3/8"
12	RINSE DRAIN - OFF	3/4" MPT	20"	18-7/8"	14"



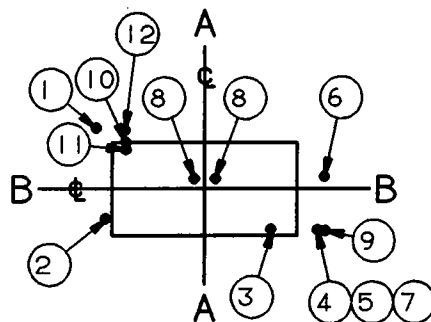
VIEW SHOWING HOLE LOCATIONS IN TURNED DOWN PORTION OF TABLE

NOTES:  
44" INSIDE TANK (AT TABLE CONNECTION)  
43-25/32" TABLE TO TABLE



MOTOR : 2 HP

ELEC. SPECS.	RATED AMPS	MINIMUM SUPPLY CIRCUIT CONDUCTOR AMPACITY	MAX. TIME DELAY FUSE
200-230/60/1	11.3	20	20
200-230/60/3	5.4	10	10
400-460/60/3	2.7	6	6



PLAN VIEW

SCALE 1/4" = 1'

### WARNING

ELECTRICAL AND GROUNDING CONNECTIONS MUST COMPLY WITH THE APPLICABLE PORTIONS OF THE NATIONAL ELECTRICAL CODE AND/OR OTHER LOCAL ELECTRICAL CODES.

PLUMBING CONNECTIONS MUST COMPLY WITH APPLICABLE SANITARY, SAFETY AND PLUMBING CODES.

CAUTION: CERTAIN MATERIALS INCLUDING SILVER, ALUMINUM AND PEWTER, ARE ATTACKED BY SODIUM HYPOCHLORITE (LIQUID BLEACH).

SEPARATE SERVICE CONNECTION FOR ELEC. HEAT

ELEC. HEAT 15 KW (WASH)			
ELEC. SPECS.	RATED AMPS	MINIMUM SUPPLY CIRCUIT CONDUCTOR AMPACITY	MAXIMUM PROTECTIVE DEVICE
200/60/1	75	100	100
230/60/1	71.4	100	100
200/60/3	43.3	60	60
230/60/3	41.1	60	60
460/60/3	20.6	30	30

### MISCELLANEOUS NOTES

WHEN VENT HOODS OR EXTENDED HOODS ARE ORDERED, SEE SEPARATE DETAILS AND CONNECTIONS SPECIFICATION SHEET.

ALL DIMENSIONS TAKEN FROM FLOOR LINE MAY BE INCREASED APPROX. 1" OR DECREASED 1/2".

\*\* FOR HARD WATER CONDITIONS GREATER THAN 6 GRAINS OR INLET TEMPERATURES ABOVE 140°F., A WATER SOFTENER IS RECOMMENDED.

### GAS HEATED DISHWASHERS

FOR NATURAL GAS, PRESSURE TO THE BURNER (CUSTOMER CONNECTION) SHOULD NOT EXCEED 7" W.C.

FOR LIQUEFIED PETROLEUM GAS, PRESSURE TO THE BURNER (CUSTOMER CONNECTION) SHOULD NOT EXCEED 11" W.C.

IF GAS PRESSURE IS HIGHER THAN 7" OR 11" W.C., A PRESSURE REGULATING VALVE MUST BE INSTALLED (BY OTHERS) IN THE GAS LINE TO THE DISHWASHER.

GAS HEAT BTU (NATURAL OR LP) BTU INPUT 80,000.

### PLUMBING NOTES

\*\* WATER HAMMER ARRESTOR (MEETING ASSE-1010 STANDARD OR EQUIVALENT) TO BE SUPPLIED (BY OTHERS) IN FINAL RINSE WATER SUPPLY LINE AT SERVICE CONNECTION.

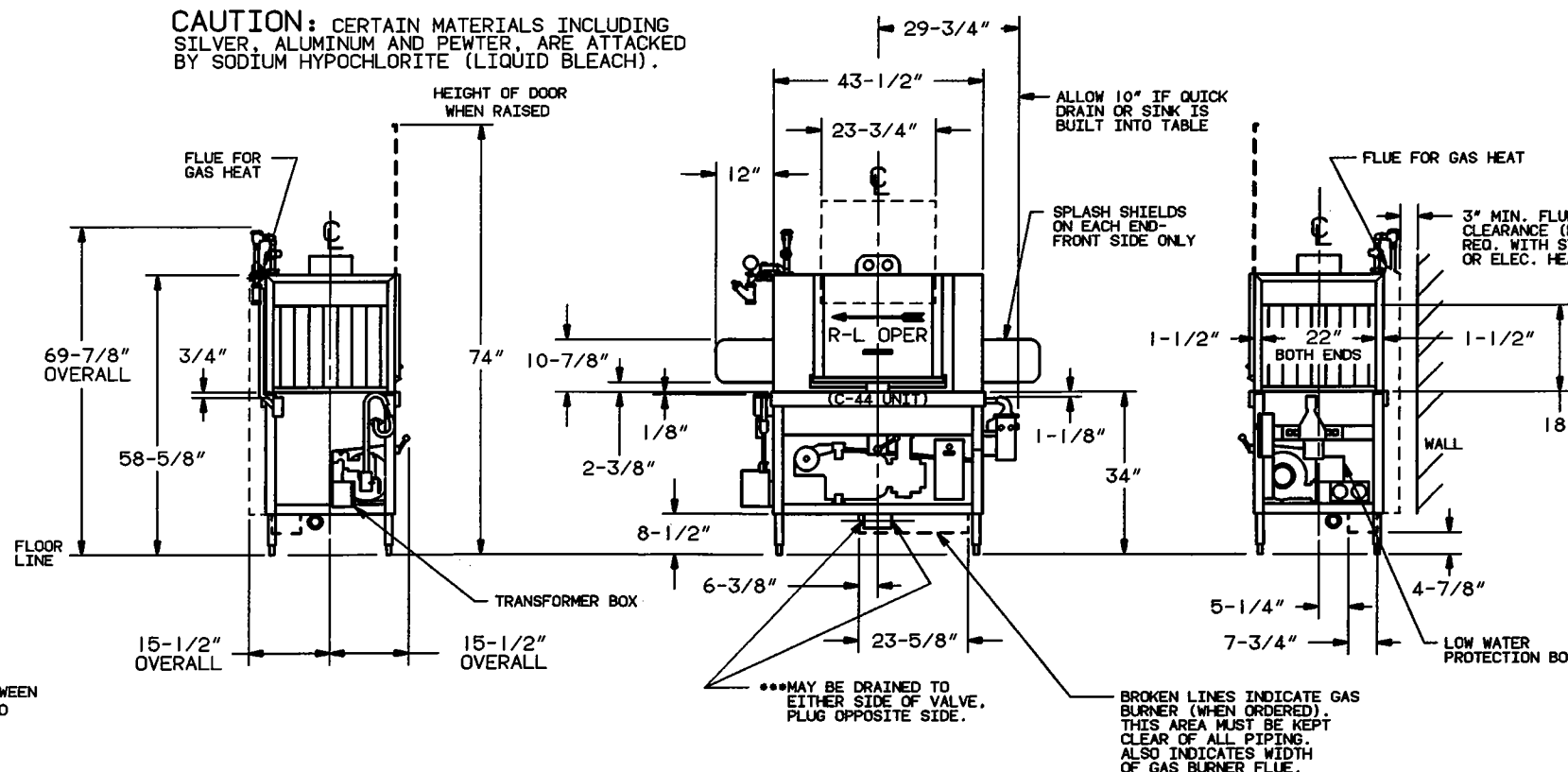
FLOWING STEAM PRESSURES ABOVE 50 PSI MUST HAVE A PRESSURE REGULATOR (NOT SUPPLIED) INSTALLED IN THE STEAM LINE.

RECOMMENDED BUILDING FLOWING WATER PRESSURE TO THE DISHWASHER IS 20 PSI. (15 PSI MIN. - 25 PSI MAX.) IF PRESSURES HIGHER THAN 25 PSI ARE PRESENT, A PRESSURE REGULATING VALVE MUST BE SUPPLIED (BY OTHERS) IN THE WATER LINE TO THE DISHWASHER.

1/8" N.P.T. FEMALE PIPE FITTING TO BE INSTALLED (BY OTHERS) IN 140° FILL LINE UPSTREAM OF FILL VALVE FOR SUPPLY WATER FOR DETERGENT DISPENSER (BY OTHERS).

FOR CONVENIENCE WHEN CLEANING, WATER TAP SHOULD BE INSTALLED NEAR MACHINE WITH HEAVY DUTY HOSE AND SQUEEZE VALVE.

DISHWASHER MUST BE INSTALLED AND OPERATED ONLY WITH CHEMICAL SANITIZING FEEDER THAT IS RECOGNIZED BY THE NATIONAL SANITATION FOUNDATION FOR USE ON THIS MODEL DISHWASHER. LISTINGS OF SUCH RECOGNIZED FEEDERS ARE ON FILE AT NATIONAL SANITATION FOUNDATION, P.O. BOX 1468, ANN ARBOR, MICHIGAN, 48105 (313) 769-8010



MODEL C-44  
LOW TEMP/HIGH TEMP  
R-L OPER  
E-289419



WORLD HEADQUARTERS  
TROY, OHIO 45374

DETAILS, DIMENSIONS AND CONNECTIONS LEFT TO RIGHT OPERATION

CONNECTION INFORMATION \*AFF - ABOVE FINISHED FLOOR

NO.	UTILITY CONNECTIONS	CONN. SIZE AT MACHINE	DIM. AFF*	DIM. FROM A-A	DIM. FROM B-B
1	FINAL RINSE - 140°F WATER MIN LOW TEMP ** 180°F WATER MIN HIGH TEMP **	3/4" FPT	52-5/8"	25-3/4"	14-1/2"
2	FILL - 140°F WATER MIN	1/2" FPT	16-1/8"	23-1/2"	7"
3	ELECTRICAL CONNECTION (EXCEPT ELECTRIC HEAT)	3/4" KNOCKOUT	12"	15-7/8"	9-1/2"
4	STEAM INJECTOR - 10 TO 25 PSI FLOWING, 50 PSI MAX (WHEN ORDERED)	3/4" FPT	6-7/8"	26-7/8"	9-5/8"
5	STEAM COIL - 10 TO 25 PSI FLOWING, 50 PSI MAX (WHEN ORDERED)	3/4" FPT	6-7/8"	26-7/8"	9-3/4"
6	CONDENSATE RETURN (STEAM COIL) - 10 TO 50 PSI FLOWING, (WHEN ORDERED) (BUCKET TYPE TRAP FURNISHED)	3/4" FPT	4-1/2"	28-1/2"	3"
7	GAS - (WHEN ORDERED)	3/4" FPT	7-3/4"	26-5/8"	9-5/8"
8	DRAIN - DISHWASHER UNIT ***	2" FPT	7"	2-1/2"	2-1/2"
9	ELECTRIC HEAT - 15,000 WATTS WASH TANK - (WHEN ORDERED)	1-1/4" KNOCKOUT	19-3/4"	28-3/4"	9-7/8"
10	RINSE AGENT FEEDER - REMOVE 1/8" NPT PIPE PLUG TO ACCESS TAPPED HOLE.	1/8" NPT	59-1/2"	18-3/4"	11-1/8"
11	SANITIZER FEEDER - REMOVE 1/8" NPT PIPE PLUG TO ACCESS TAPPED HOLE.	1/8" NPT	59-1/2"	18-3/4"	9-3/8"
12	RINSE DRAIN - OFF	3/4" MPT	20"	18-7/8"	14"

MOTOR : 2 HP

ELEC. SPECS.	RATED AMPS	MINIMUM SUPPLY CIRCUIT CONDUCTOR AMPACITY	MAX. TIME DELAY FUSE
200-230/60/1	11.3	20	20
200-230/60/3	5.4	10	10
400-460/60/3	2.7	6	6

SEPARATE SERVICE CONNECTION FOR ELEC. HEAT

ELEC. HEAT 15 KW (WASH)			
ELEC. SPECS.	RATED AMPS	MINIMUM SUPPLY CIRCUIT CONDUCTOR AMPACITY	MAXIMUM PROTECTIVE DEVICE
200/60/1	75	100	100
230/60/1	71.4	100	100
200/60/3	43.3	60	60
230/60/3	41.1	60	60
460/60/3	20.6	30	30

GAS HEATED DISHWASHERS

FOR NATURAL GAS, PRESSURE TO THE BURNER (CUSTOMER CONNECTION) SHOULD NOT EXCEED 7" W.C.

FOR LIQUEFIED PETROLEUM GAS, PRESSURE TO THE BURNER (CUSTOMER CONNECTION) SHOULD NOT EXCEED 11" W.C.

IF GAS PRESSURE IS HIGHER THAN 7" OR 11" W.C., A PRESSURE REGULATING VALVE MUST BE INSTALLED (BY OTHERS) IN THE GAS LINE TO THE DISHWASHER.

GAS HEAT BTU (NATURAL OR LP) BTU INPUT 80,000.

PLUMBING NOTES

\*\* WATER HAMMER ARRESTOR (MEETING ASSE-1010 STANDARD OR EQUIVALENT) TO BE SUPPLIED (BY OTHERS) IN FINAL RINSE WATER SUPPLY LINE AT SERVICE CONNECTION.

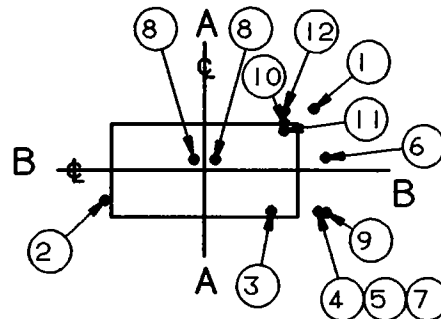
FLOWING STEAM PRESSURES ABOVE 50 PSI MUST HAVE A PRESSURE REGULATOR (NOT SUPPLIED) INSTALLED IN THE STEAM LINE.

RECOMMENDED BUILDING FLOWING WATER PRESSURE TO THE DISHWASHER IS 20 PSI, (15 PSI MIN. - 25 PSI MAX.). IF PRESSURES HIGHER THAN 25 PSI ARE PRESENT, A PRESSURE REGULATING VALVE MUST BE SUPPLIED (BY OTHERS) IN THE WATER LINE TO THE DISHWASHER.

1/8" N.P.T. FEMALE PIPE FITTING TO BE INSTALLED (BY OTHERS) IN 140° FILL LINE UPSTREAM OF FILL VALVE FOR SUPPLY WATER FOR DETERGENT DISPENSER (BY OTHERS).

FOR CONVENIENCE WHEN CLEANING, WATER TAP SHOULD BE INSTALLED NEAR MACHINE WITH HEAVY DUTY HOSE AND SQUEEZE VALVE.

DISHWASHER MUST BE INSTALLED AND OPERATED ONLY WITH CHEMICAL SANITIZING FEEDER THAT IS RECOGNIZED BY THE NATIONAL SANITATION FOUNDATION FOR USE ON THIS MODEL DISHWASHER. LISTINGS OF SUCH RECOGNIZED FEEDERS ARE ON FILE AT NATIONAL SANITATION FOUNDATION, P.O. BOX 1468, ANN ARBOR, MICHIGAN. 48105 (313) 769-8010



PLAN VIEW

SCALE 1/4" = 1'

WARNING

ELECTRICAL AND GROUNDING CONNECTIONS MUST COMPLY WITH THE APPLICABLE PORTIONS OF THE NATIONAL ELECTRICAL CODE AND/OR OTHER LOCAL ELECTRICAL CODES.

PLUMBING CONNECTIONS MUST COMPLY WITH APPLICABLE SANITARY, SAFETY AND PLUMBING CODES.

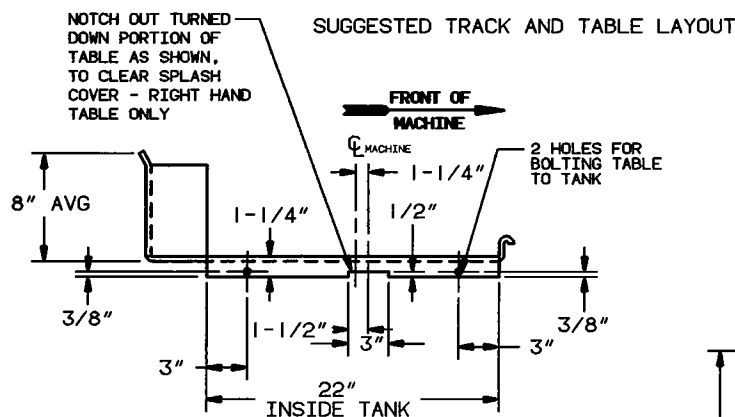
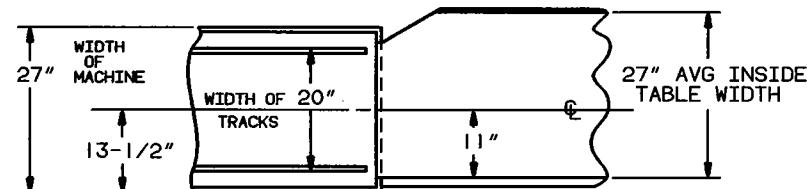
CAUTION: CERTAIN MATERIALS INCLUDING SILVER, ALUMINUM AND PEWTER, ARE ATTACKED BY SODIUM HYPOCHLORITE (LIQUID BLEACH).

MISCELLANEOUS NOTES

WHEN VENT HOODS OR EXTENDED HOODS ARE ORDERED, SEE SEPARATE DETAILS AND CONNECTIONS SPECIFICATION SHEET.

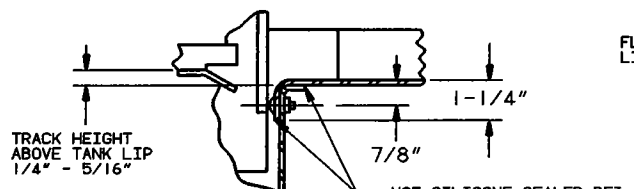
ALL DIMENSIONS TAKEN FROM FLOOR LINE MAY BE INCREASED APPROX. 1" OR DECREASED 1/2".

FOR HARD WATER CONDITIONS GREATER THAN 6 GRAINS OR INLET TEMPERATURES ABOVE 140°F., A WATER SOFTENER IS RECOMMENDED.

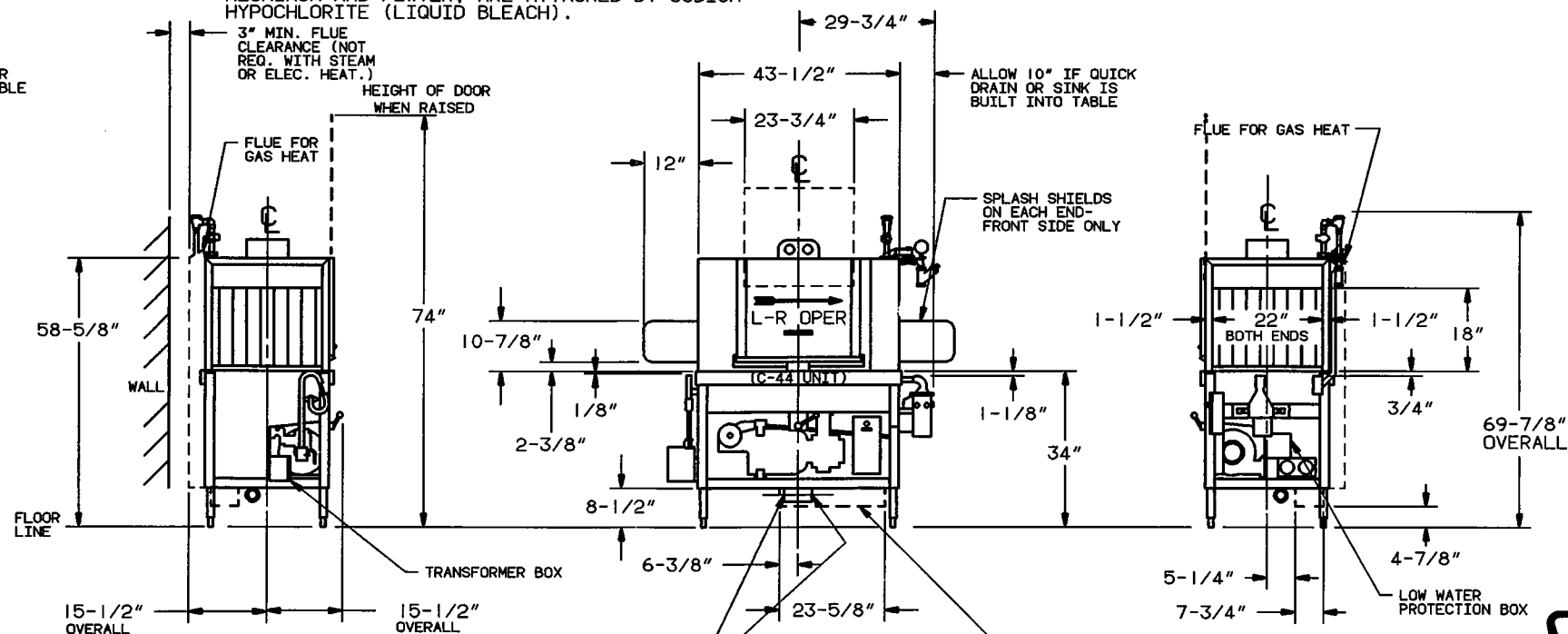


VIEW SHOWING HOLE LOCATIONS IN TURNED DOWN PORTION OF TABLE

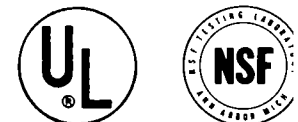
NOTES:  
44" INSIDE TANK (AT TABLE CONNECTION)  
43-25/32" TABLE TO TABLE



SECTIONAL VIEW SHOWING TABLE CONNECTIONS



MODEL C-44  
LOW TEMP/HIGH TEMP  
L-R OPER  
E-289420



WORLD HEADQUARTERS  
TROY, OHIO 45374

\*\*\* MAY BE DRAINED TO EITHER SIDE OF VALVE PLUG OPPOSITE SIDE  
BROKEN LINES INDICATE GAS BURNER (WHEN ORDERED). THIS AREA MUST BE KEPT CLEAR OF ALL PIPING. ALSO INDICATES WIDTH OF GAS BURNER FLUE.

**HOBART**

FOOD EQUIPMENT

**C-44  
DISHWASHER**

**SPECIFICATIONS** Listed by Underwriters Laboratories Inc. and by National Sanitation Foundation. Meets Requirements of A.S.S.E. Standard No. 1004.

**DESIGN:** Fully automatic, low temperature or hot water, single tank, rack type dishwasher with flexible plastic strip curtains at ends of chambers and between wash and final rinse compartments. Large inspection door located in front of machine provides easy access to interior of machine. Door guided for ease of operation and long life. Design provides for changing of direction of operation in the field. Length of machine inside tank (at table connection) 44". Machine designed to clean and sanitize with 140°F wash and 140°F rinse water. Final chemical sanitizing rinse uses 5.25% sodium hypochlorite (bleach) or Hot Water 160°F wash and 180°F (Minimum) final rinse. Automatic interlocks shut off pump if door is opened when in operation.

**\*CAUTION: CERTAIN MATERIALS, INCLUDING SILVER, ALUMINUM, AND PEWTER ARE ATTACKED BY SODIUM HYPOCHLORITE (LIQUID BLEACH) IN THE CHEMICAL SANITIZING DISHWASHER MODE OF OPERATION. WATER HARDNESS MUST BE CONTROLLED TO 2-6 GR. FOR BEST RESULTS.**

**CONSTRUCTION:** Formed #16 gauge stainless steel wash chamber with minimum amount of Heliarc welding. Tank #16 gauge stainless steel, Heliarc-welded. Welded steel frame and motor support phosphate treated and primed. Sanitary legs and chrome-plated adjustable feet. Chamber is #3 polished finish. Painted surfaces are gray modified epoxy enamel.

**PUMP:** Ni-Resist impeller, 230 GPM capacity, integral with motor, assures perfect alignment and quiet operation. Face seal with stainless steel metal parts and ceramic sealing seat. Easily removable front and side plates for ease of cleaning and inspection. Pump is self-draining.

**MOTOR:** Hobart-built, 2 H.P., grease-packed ball bearings, splashproof, ventilated. Single phase is capacitor start, induction run type. Three-phase is squirrel cage, induction-run type. Available in electrical specifications of 200-230/60/1, 200-230/60/3, and 400-460/60/3. Also available in electrical specifications of 220/50/1, 220/50/3 and 380/50/3 not submitted for U.L. Listing. For electrical specifications not listed above, write factory for details.

**MOTOR CONTROLLER:** Single magnetic type having "On-Off" switch and individual set of one automatic resetting bimetallic thermal overload relay for single-phase electrical specifications, or a three pole ambient compensated automatic resetting bimetallic thermal overload relay for three-phase electrical specifications for overload protection. All electric components factory-wired with 105° C thermoplastic insulated stranded conductors routed through electrical metallic tubing to a common connection point for steam and optional gas tank heat. When optional electric tank heat is specified, separate power circuits to the machine are required for the motor and electric heat.

On machines of electrical specifications below 250 volts, all electrical components will be

operated on machine voltage; above 250 volts, all control circuitry components will be operated from a 120 volt control circuit transformer.

**CONVEYOR:** Hobart dual rack drive, with stainless steel pawls both sides of conveyor, designed to eliminate interference with wash and rinse spray patterns. Racks conveyed automatically through wash and rinse sections and onto clean dish table. Adjustable overload mechanism on conveyor drive prevents damage to machine or racks, should movement of racks be obstructed. Conveyor drive speed reducer with worm and worm gear operating in oil bath, mounted integrally with power wash motor. Rack tracks, conveyor structure and drive units of stainless steel for 19 $\frac{3}{4}$ " x 19 $\frac{3}{4}$ " racks as standard. Conveyor speed: 5.66 fpm.

**POWER WASH:** Fixed upper spray assembly of Ni-Resist and stainless steel construction with high-velocity spray pattern, covering full rack area. Lower stationary center-fed spray assembly of stainless steel, has stainless steel directional jets with large unrestricted openings. Manifold connecting pump to center fed upper and lower spray systems of Ni-Resist castings and stainless steel tubing. Both spray assemblies easily removable without the use of tools. Strainer pans of perforated stainless steel cover wash tank water surface.

**FINAL RINSE:** Double acting rinse arms above and below operated automatically by racks in passing. Rinse lever actuates micro-switch that controls water solenoid valve. Sanitizing agent (5.25% sodium hypochlorite – bleach) injection connection provided on final rinse flange. Sanitizer injection device (provided by others) must be set to provide a 50 ppm minimum/100 ppm maximum solution in the final rinse. A vacuum breaker is installed on downstream side of solenoid valve and mounted 6" above uppermost rinse opening. Dishware is rinsed and sanitized with an energy saving 1.53 gal./rack of water at 140°F minimum or 180°F minimum final rinse. Design provides for directing half of rinse water to wash tank as makeup water, other half is directed to sewer. A booster may be required to produce consistent final rinse water temperature if supply of hot water is below specification. Please refer to separate booster sizing charts.

**FILL:** Jet-type with air break and suds trap mounted on end of machine below table level. Manually-operated fill valve.

**DRAIN AND OVERFLOW:** Bell-type automatic overflow and drain valve externally controlled from front of machine. Drain seals by means of large diameter "O" rings. Drain and overflow of stainless steel tubing and Ni-Resist castings.

**STANDARD EQUIPMENT:** Sealed dial-type thermometers for wash and rinse, mounted in stainless steel housing at eye level on top of machine. Six (Four PEG and Two COM) 19 $\frac{3}{4}$ " x 19 $\frac{3}{4}$ " Hobart heavy-duty all plastic racks. Plastic strip curtains. Two stainless steel splash shields – one for each end – front side only. Door interlocks.

**OPTIONAL EQUIPMENT AT EXTRA COST – MECHANICAL:** Stainless steel vent hoods

with vent stack and locking type damper – stainless steel extended hoods with vent stack and locking type damper – stainless steel frame with stainless steel legs – stainless steel front enclosure panel – stainless steel leg trim – stainless steel feet. Conveyor modified for 10" x 19 $\frac{3}{4}$ ", 14" x 19 $\frac{3}{4}$ ", and 16" x 19 $\frac{3}{4}$ " racks.

**OPTIONAL EQUIPMENT AT EXTRA COST – WASH TANK HEATING: (Specific Type Must be Ordered).**

**STEAM:** Regulated  $\frac{3}{4}$ " stainless steel steam injectors or  $\frac{3}{4}$ " stainless steel steam coils (for contaminated steam). Tank water temperature controlled by solid state thermostat with positive low-water protection through high temperature steam solenoid valve and easy open line strainer.

**ELECTRIC:** Two regulated electric incoloy sheathed immersion heaters, (one 10 KW and one 5 KW) removable from inside tank in high temp mode. Optional one 10 KW heater available in low temp mode. Tank water temperature is controlled by solid state thermostat with positive low-water protection and magnetic contactors. (Disconnect switches not furnished).

**GAS:** Patented regulated gas burner system, safety pilot and shut-off valve, air-insulated burner box and flue. Tank water temperature is controlled by solid state thermostat with positive low-water protection and splash proof gas solenoid valve.

For natural gas, gas pressure to burner (customer connection) not to exceed 7" W.C.

For liquefied petroleum, gas pressure to burner (customer connection) not to exceed 11" W.C.

If gas pressure higher than 7" W.C. or 11" W.C., a pressure regulating valve must be supplied (by others) in the gas line to the dishwasher.

All heating systems are supplied with "On-Off" switch with pilot light mounted control box at end of machine, wired by means of 105°C thermoplastic insulated stranded conductors, routed through liquid-tight flexible metal conduit to solenoid valve.

**OPTIONAL EQUIPMENT AT EXTRA COST:**

**AUTOMATIC FILL:** Electrically-operated automatic fill for maintenance of tank level, interlocked with drain valve.

**REDUCED VOLTAGE PILOT CIRCUIT:** A 120 volt pilot control circuit transformer for control circuits and components on machines having electrical specifications below 250 volts.

**ENERGY-SAVING AUTO-TIMER PACKAGE:** Includes 120 volt pilot circuit. Settable timer allows machine to automatically shut down wash pump and conveyor after last rack exits machine.

As continued product improvement is a policy of Hobart, specifications are subject to change without notice.

**HOBART**  
CORPORATIONWORLD HEADQUARTERS  
TROY, OHIO 45374