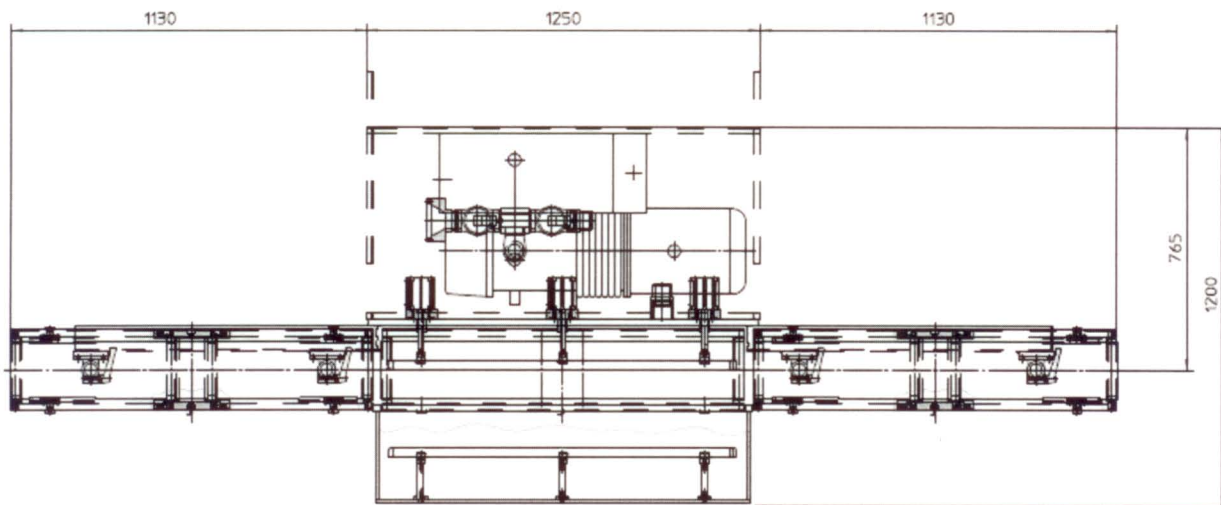
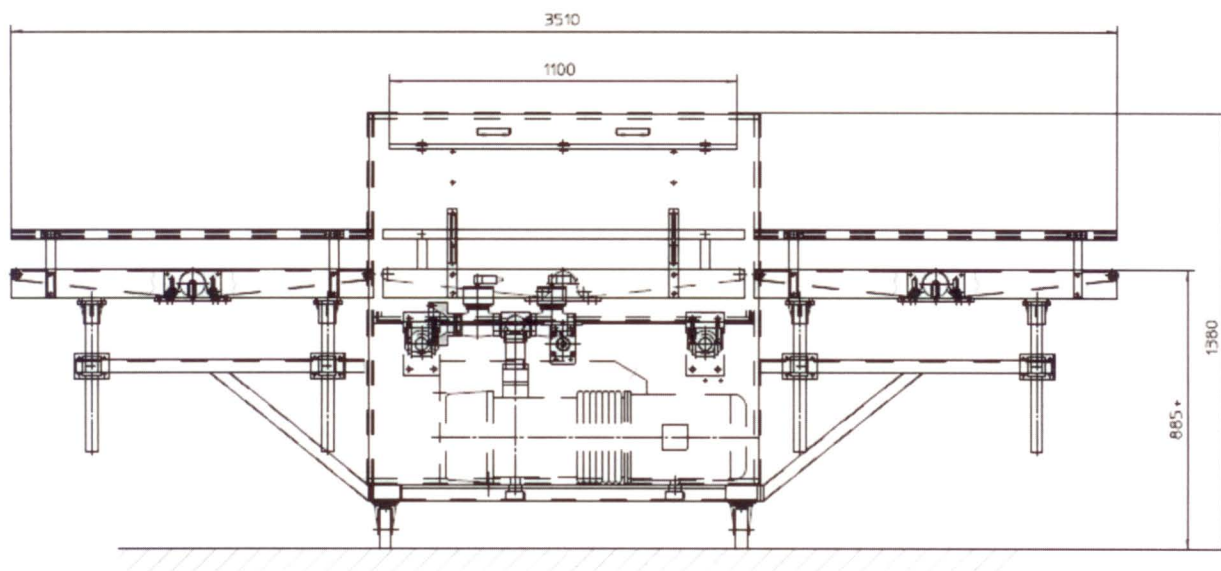


Quotation

Automatic vacuum packaging machine type: SVM-1100

Product dimensions:	height from 100 up to 350 mm, width from 20 up to 150 mm
Length of seal:	1100 mm usable with 8 mm seal width
Sealing system:	Impulse sealing bar with special high precision sealing controller. The microprocessor sealing controller is self-monitoring system with a multilingual VF display (4 lines) and automatic zero calibration (auto-cal) and automatic optimization (auto-tune) functions.
Sealing pressure:	Adjustable
Chamber lid:	Horizontal stainless steel sliding lid
Materials:	Stainless Steel for the housing and the main machine parts
Vacuum components:	Premium vacuum pumps, valves and sensors
PLC control:	SIEMENS S7 with operator panel.
Programs:	complete programs (modes and settings) can be counted
Working pressure:	Up to 1 mbar
Pump system:	BUSCH Rotary van pump
Filters:	Dust filter in front of the rotary van pump and an oil trap filter behind it.
Pneumatic supply:	5 bar (Con-delivery: 5 m air hose with ID 9 mm)
Power supply:	32A 3 phase 400 V + ground (Con-delivery: 5 m power supply cable)
Installed power:	9 kW
Sound level:	< 75 dB(A)
Norms:	CE-Guidelines for machines, electronic equipment and EMV
Safety:	Lid safety frame, pressed air control, rotary field control, motor protection switches, all components separately fused
Installation area:	Length 3660 mm x Width 1220 mm x Height 1600mm
Weight:	approx. 750 kg

Layout:



Product height 100 up to 350 mm
Product width 20 up to 150 mm
Sealbar length 1100 mm