



# GOULDS PUMPS

## Goulds Models RX/RXA Slurry Pumps



Goulds Pumps



**ITT Industries**  
*Engineered for life*

# Goulds Model RX/RXA Heavy-duty Slurry Pumps

## Side Suction Slurry Pumps Designed for Handling Highly Abrasive Slurries

- Capacities to 4000 GPM (910 m<sup>3</sup>/h)
- Heads to 325 feet (99 m)
- Temperatures to 260° F (127° C)
- Pressures to 200 PSIG (1380 kPa)

## Design Features

**Side suction Design** For ease of maintenance.

**Stuffing Box** Subject to suction pressure only.

**Multiple Combinations** Suction and discharge nozzles may be swiveled to any one of eight different positions.

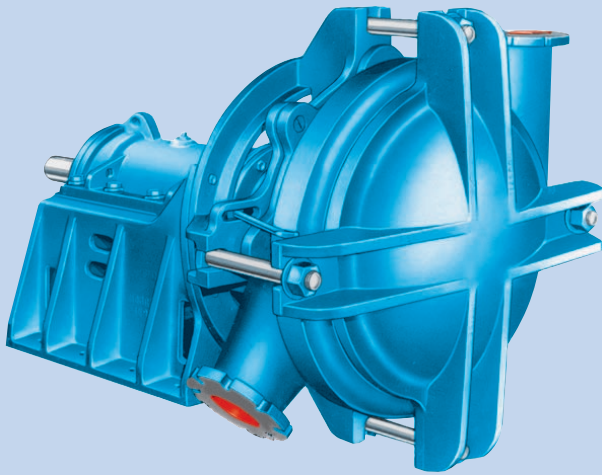
**External Impeller Adjustment** For optimum wear life.

**Heavy-duty Bearing Frame** Provide extra capacity for high heads and overhung loads.

**Replaceable Wear Liners** Flat design permits easy installation and accurate wear adjustment.

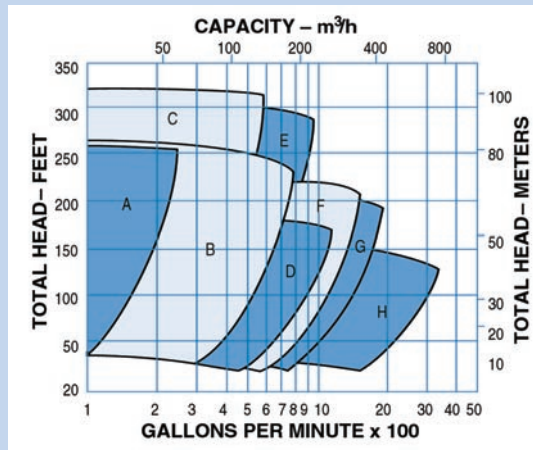
## Services

- Bauxite
- Wet Process Cement
- Lime Slurry
- Dust Collection Systems
- Sand
- Chemical Sludges
- Plant Wastes



Goulds Model 4RX pumping lead concentrate to storage facilities

Hydraulic Coverage – Model RX/RXA



Code	Size	RPM Max.
A	2 x 4 x 15 <sup>1</sup> / <sub>2</sub>	1750
B	3 x 5 x 15 <sup>1</sup> / <sub>2</sub>	1750
C	3 x 5 x 25	1180
D	4 x 6 x 16	1750
E	4 x 5 x 25	1180
F	5 x 8 x 21 <sup>1</sup> / <sub>2</sub>	1180
G	6 x 8 x 21	1180
H	8 x 10 x 24 <sup>3</sup> / <sub>4</sub>	880

Please refer to the Pump Selection System (PSS) at [www.gouldspumps.com](http://www.gouldspumps.com) for the most current curves.



# Model RX/RXA Slurry Pumps

## Heavy Duty, All-Metal Construction. Expressly Designed for Handling Abrasive Slurries at High Heads and Low Speeds.

### OVERSIZED SHAFT

High tensile steel shaft of rugged design has machined shoulders for positive positioning of bearings, easily withstands shock loads and vibration. Removable hook-type sleeve protects shaft where it extends through stuffing box.

### EASY PART REPLACEMENT

Water end designed with clamped construction for ease in replacement of parts without dismantling suction and discharge piping. Special locking device holds end cover liner in domed end cover for ease of disassembly and reassembly.

### HEAVY-DUTY BEARINGS

Bearings are mounted in single housing for accurate alignment.

### CASING

Wall thickness of the sturdy volute casing is increased at maximum wear points. Extensive wear-testing of advanced hydraulic designs ensures uniform wear characteristics.

### SUCTION DISC AND END COVER LINERS

Extra thick renewable liners for suction disc and end cover are standard on RX pumps. Flat design permits easy installation and accurate close wear adjustment.

### BALANCED-WEAR IMPELLER

Efficient design assures even wear of the pressure-balanced impeller, with large interior clearance and heavy wear sections. Exterior vanes reduce liner wear.

### DRIVE END

Designed for either direct connection or overhead V-belt drive.

### PACKING GLAND

Extra deep stuffing box subject to suction pressure only.

### SHAFT SLEEVE

Shaft sleeve fit and impeller hub thread sealed from liquid being pumped.

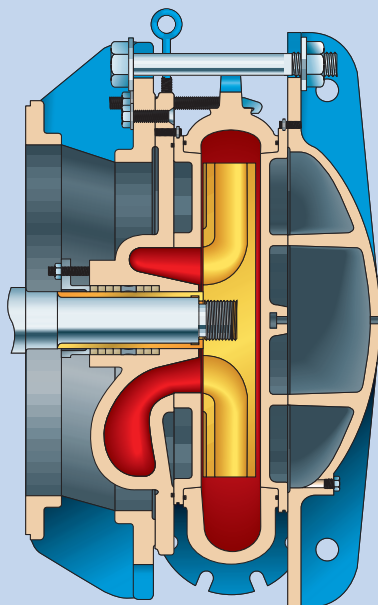
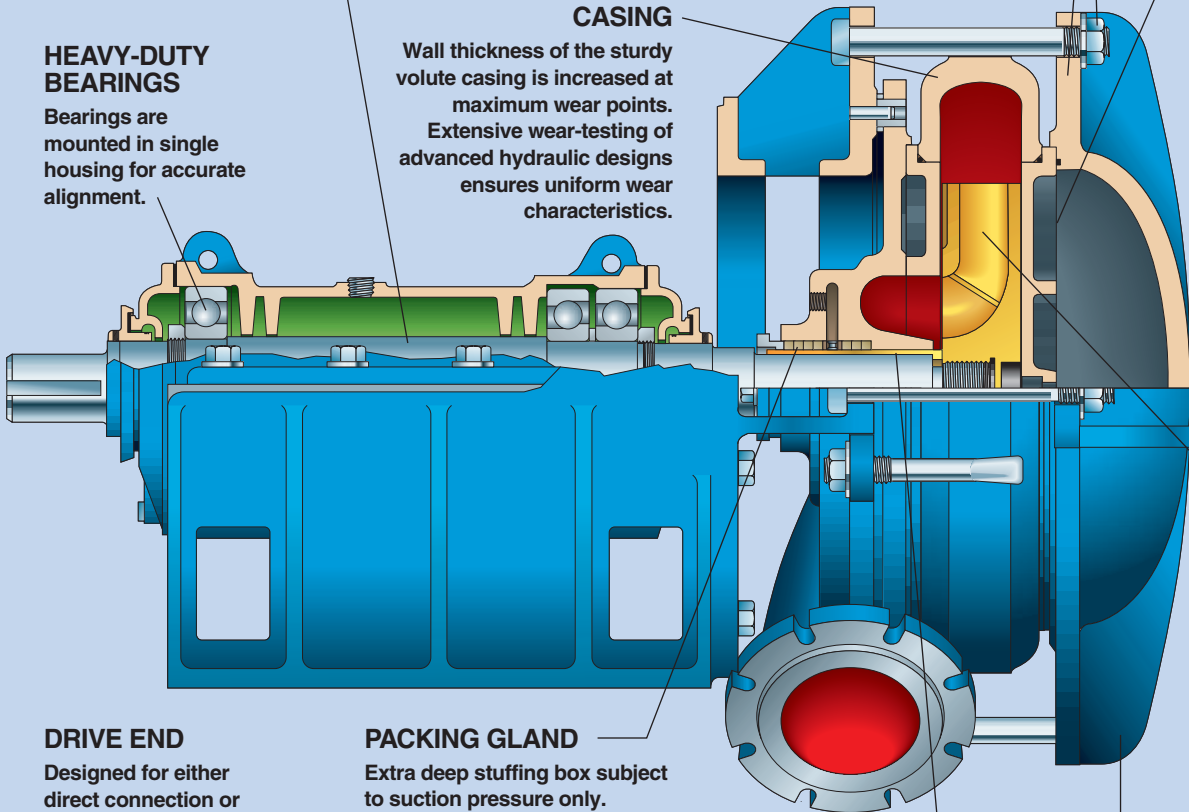
### DOMED END COVER

Domed end cover construction provides extra strength for high-pressure applications.

Model RXA option provides improved wear life and ease of maintenance with no change in performance.

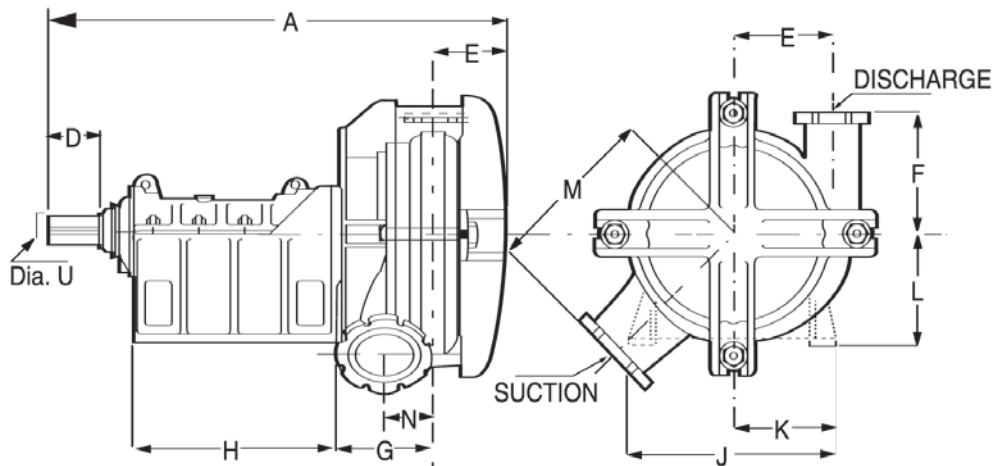
### Benefits include:

- Redesigned cutwater to reduce wear.
- Tapered casing to liner fits for reduced wear.
- Confined O-Rings for extended liner life.
- Lifting lugs for safety and ease of maintenance.



# Dimensions Model RX/RXA

All dimensions in inches. Not to be used for construction.



## BARE PUMP DIMENSIONS

Pump Size	Brg. Fr.	A	C	H	G	N	E	F	L	M	J	K	Dia. U	D
2x4-15 <sup>1</sup> / <sub>2</sub>	1F	43 <sup>7</sup> / <sub>16</sub> (1103)	6 <sup>7</sup> / <sub>8</sub> (174)	20 <sup>7</sup> / <sub>16</sub> (519)	10 <sup>3</sup> / <sub>8</sub> (264)	5 <sup>3</sup> / <sub>8</sub> (137)	8 <sup>7</sup> / <sub>8</sub> (225)	9 (229)	9 <sup>1</sup> / <sub>2</sub> (241)	13 <sup>1</sup> / <sub>2</sub> (343)	19 (483)	9 <sup>1</sup> / <sub>2</sub> (241)	2 <sup>1</sup> / <sub>4</sub> (57)	3 <sup>7</sup> / <sub>8</sub> (98)
3x5-15 <sup>1</sup> / <sub>2</sub>	2F	48 <sup>7</sup> / <sub>8</sub> (1241)	7 <sup>1</sup> / <sub>8</sub> (181)	23 <sup>5</sup> / <sub>16</sub> (592)	10 <sup>13</sup> / <sub>16</sub> (275)	5 <sup>1</sup> / <sub>4</sub> (133)	9 <sup>3</sup> / <sub>8</sub> (238)	10 (254)	11 <sup>1</sup> / <sub>2</sub> (292)	15 <sup>1</sup> / <sub>2</sub> (394)	23 (584)	11 <sup>1</sup> / <sub>2</sub> (292)	2 <sup>5</sup> / <sub>8</sub> (67)	41 <sup>9</sup> / <sub>32</sub> (117)
3x5-25	3F	59 <sup>7</sup> / <sub>8</sub> (1521)	9 (229)	29 <sup>1</sup> / <sub>8</sub> (740)	13 <sup>7</sup> / <sub>16</sub> (341)	6 <sup>7</sup> / <sub>8</sub> (175)	13 <sup>3</sup> / <sub>4</sub> (350)	14 <sup>3</sup> / <sub>4</sub> (375)	15 <sup>1</sup> / <sub>2</sub> (394)	20 <sup>1</sup> / <sub>2</sub> (521)	30 (762)	15 (381)	3 <sup>1</sup> / <sub>4</sub> (83)	5 <sup>1</sup> / <sub>8</sub> (130)
4x6-16	2F	50 <sup>1</sup> / <sub>16</sub> (1271)	7 <sup>9</sup> / <sub>16</sub> (192)	23 <sup>5</sup> / <sub>16</sub> (592)	11 <sup>1</sup> / <sub>16</sub> (291)	5 (127)	10 <sup>3</sup> / <sub>8</sub> (264)	12 (305)	11 <sup>1</sup> / <sub>2</sub> (292)	18 (457)	23 (584)	11 <sup>1</sup> / <sub>2</sub> (292)	2 <sup>5</sup> / <sub>8</sub> (67)	5 <sup>3</sup> / <sub>32</sub> (129)
4x5-25	3F	60 <sup>9</sup> / <sub>16</sub> (1538)	9 <sup>3</sup> / <sub>8</sub> (238)	29 <sup>1</sup> / <sub>8</sub> (740)	13 <sup>3</sup> / <sub>4</sub> (350)	7 <sup>9</sup> / <sub>16</sub> (183)	15 (381)	17 (432)	15 <sup>1</sup> / <sub>2</sub> (394)	20 <sup>1</sup> / <sub>2</sub> (521)	30 (762)	15 (381)	3 <sup>1</sup> / <sub>4</sub> (83)	5 <sup>1</sup> / <sub>8</sub> (130)
3x8-2 <sup>1</sup> / <sub>2</sub>	3F	61 <sup>7</sup> / <sub>8</sub> (1572)	10 <sup>1</sup> / <sub>8</sub> (257)	29 <sup>1</sup> / <sub>8</sub> (740)	14 <sup>5</sup> / <sub>16</sub> (364)	7 (178)	13 <sup>11</sup> / <sub>16</sub> (348)	15 (381)	15 <sup>1</sup> / <sub>2</sub> (394)	24 (610)	30 (762)	15 (381)	3 <sup>1</sup> / <sub>4</sub> (83)	5 <sup>1</sup> / <sub>8</sub> (130)
6x8-12 <sup>1</sup> / <sub>4</sub>	3F	62 <sup>3</sup> / <sub>8</sub> (1584)	10 <sup>3</sup> / <sub>8</sub> (264)	29 <sup>1</sup> / <sub>8</sub> (740)	14 <sup>1</sup> / <sub>2</sub> (368)	7 (178)	14 <sup>1</sup> / <sub>8</sub> (359)	18 (457)	15 <sup>1</sup> / <sub>2</sub> (394)	24 (610)	30 (762)	15 (381)	3 <sup>1</sup> / <sub>4</sub> (83)	5 <sup>1</sup> / <sub>4</sub> (133)
8x10-24 <sup>3</sup> / <sub>4</sub>	3F	65 <sup>1</sup> / <sub>4</sub> (1657)	10 <sup>3</sup> / <sub>4</sub> (273)	32 (813)	21 <sup>3</sup> / <sub>8</sub> (543)	14 (356)	16 <sup>1</sup> / <sub>2</sub> (419)	20 (508)	21 (533)	31 (787)	33 (838)	16 <sup>1</sup> / <sub>2</sub> (419)	3 <sup>1</sup> / <sub>4</sub> (83)	5 <sup>1</sup> / <sub>4</sub> (133)

Visit our website at [www.gouldspumps.com](http://www.gouldspumps.com)

Goulds Pumps



ITT Industries  
Engineered for life



Printed in U.S.A.  
© 2004 Goulds Pumps