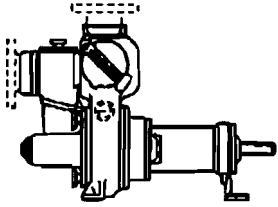


**Technical
Data****40MP/40MMP**Section **SELF-PRIMER** Page **305**
Dated **APRIL 2000**
Supersedes **SEPTEMBER 1993****MODEL: 40MP, 40MMP — Self-Priming Non-Clog Pumps****Physical Data:**

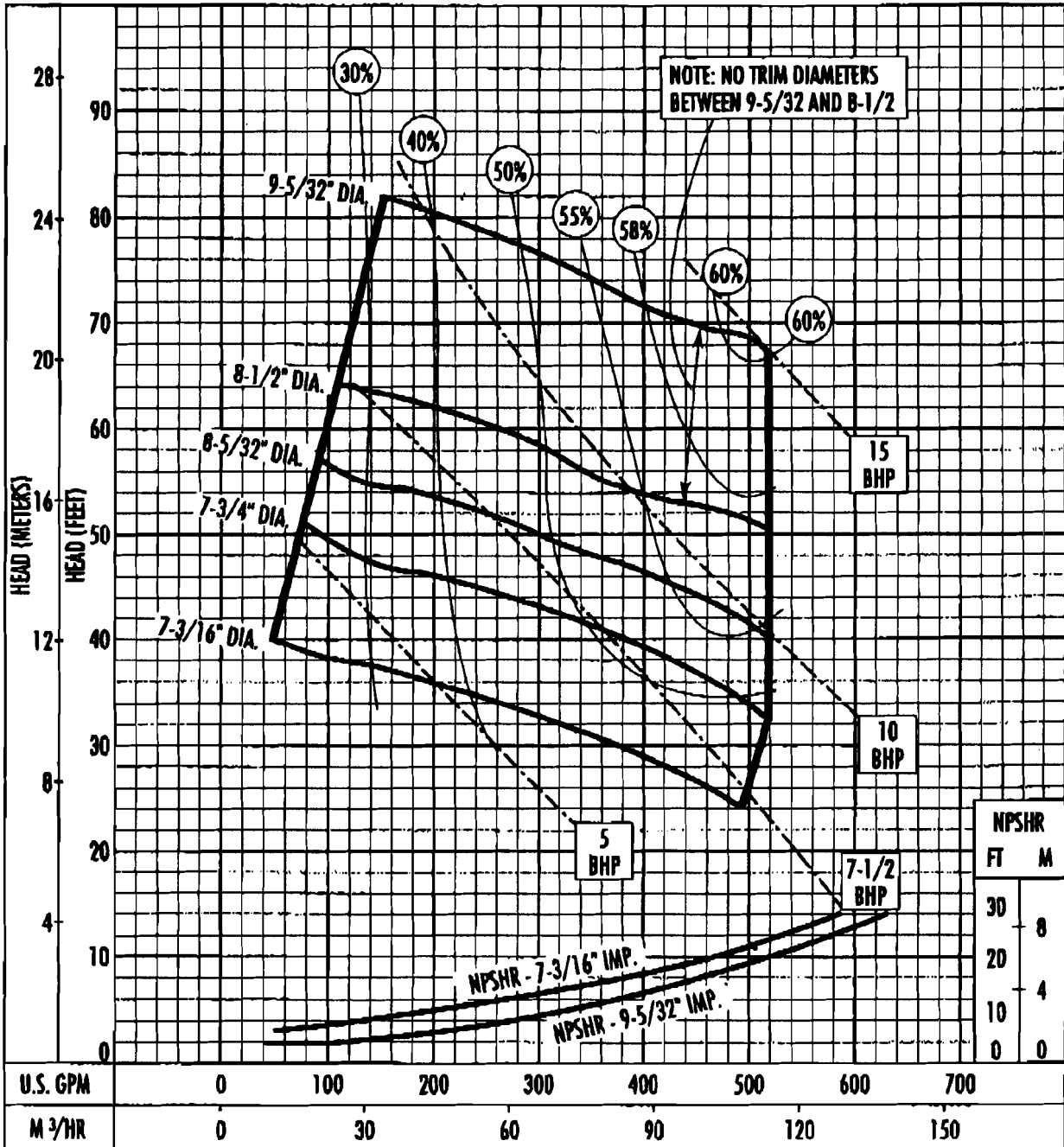
DISCHARGE SIZE	Standard: Optional:	4" NPT 4" 125# FLANGE
SUCTION SIZE	Standard: Optional:	4" NPT 4" 125# FLANGE
SOLIDS SIZE		3"
IMPELLER TYPE		TWO VANE, SEMI-ENCLOSED W/PUMP OUT VANES ON BACK SHROUD
PAINT		PAINTED AFTER ASSEMBLY. DARK GREEN, WATER REDUCIBLE ENAMEL, ONE COAT, AIR DRIED.

Technical Data:

MATERIALS OF CONSTRUCTION	BEARING FRAME	ASTM A-48 CLASS 30 CAST IRON
	SUCTION ELBOW	ASTM A-48 CLASS 30 CAST IRON
	PRIMING PORT HOUSING	ASTM A-48 CLASS 30 CAST IRON
	CASING	ASTM A-48 CLASS 30 CAST IRON
	IMPELLER	GRADE 65-45-15 DUCTILE IRON
	LIP PLATE	GRADE 65-45-15 DUCTILE IRON
	WEAR PLATE	GRADE 65-45-15 DUCTILE IRON
	PUMP SHAFT	ASTM 4140 STRESSPROOF STEEL
	SHAFT SLEEVE	AISI 316 STAINLESS STEEL
	HARDWARE	316 SST. IMPELLER HARDWARE, ZINC PLATED STEEL OTHERWISE
	FLAPPER CHECK VALVE	316 SST. BRACKET, SHAFT, & BEARINGS W/ BUNA OR NEOPRENE GASKET
	"O" RINGS	BUNA N
MECHANICAL SEALS	Standard: Optional:	INNER AND OUTER CARBON/CERAMIC, TYPE 21, BF1C1 INNER TUNGSTEN CARBIDE, TYPE 21, BD1D1
OUTBOARD BEARING		HEAVY DUTY BALL TYPE
INBOARD BEARING		HEAVY DUTY BALL TYPE



Performance Curve	40MP/MPSE	
	RPM: 1750	Discharge: 4" Solids: 3"



Operation is recommended in the bounded area with operational point within the curve limit.
 Performance curves are based on actual tests with clear water at 70° F. and 1280 feet site elevation.

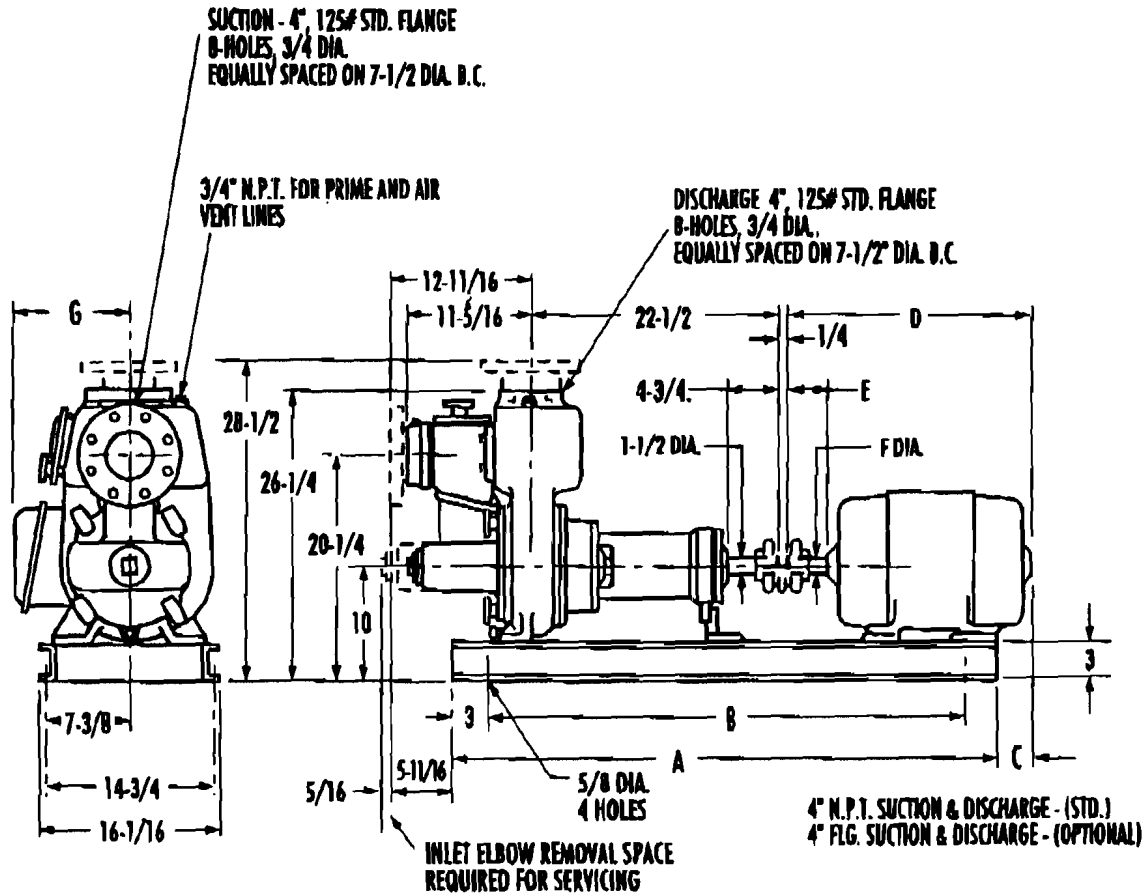
Conditions of Service:

GPM: _____ TDH: _____



Dimensional Data

40MPD/40MPSD



MOTOR FRAME	A	B	C	D*	E	F	G
145T	40	34	4-15/16	14-9/16 APPROX.	2-1/4	7/8	6
182T	41-1/2	35-1/2	1-7/8	13-5/8 APPROX.	2-3/4	1-1/8	7
184T	41-1/2	35-1/2	1-15/16	13-11/16 APPROX.	2-3/4	1-1/8	7
213T	44-3/8	38-3/8	1-1/8	15-3/4 APPROX.	3-3/8	1-3/8	8-3/4
215T	44-3/8	35-3/8	1-5/8	17-1/4 APPROX.	3-3/8	1-3/8	8-3/4
254T	49	43	1-1/4	20-1/2 APPROX.	4	1-5/8	10-1/16
256T	49	43	3	22-1/4 APPROX.	4	1-5/8	10-1/16

*DRIPPROOF ONLY

ALL DIMENSIONS IN INCHES
NOTE: CASTING DIMENSIONS MAY VARY ± 1/16"