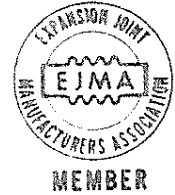


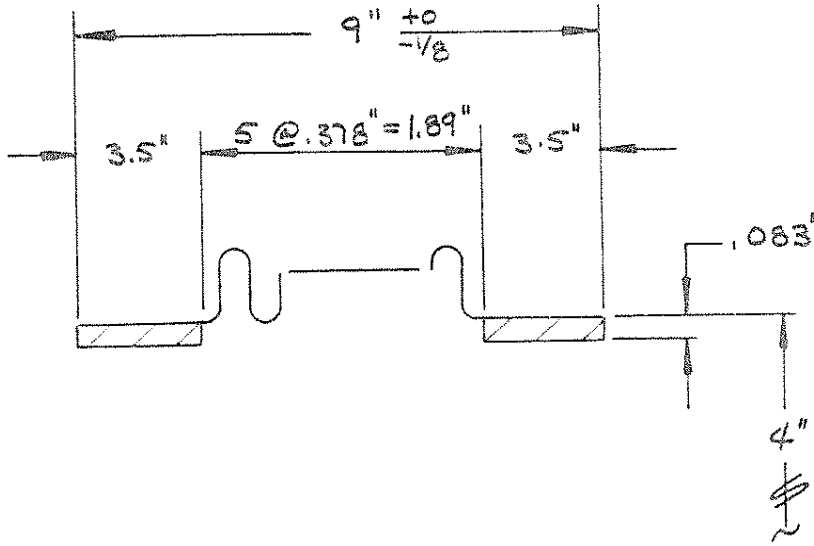
expansion joint company

P. O. BOX 967 • NEW CASTLE, PA. 16103
TELEPHONE 412/654-5578



ENGINEERING REPORT

QUOTE NO.	Q 8232	SERVICE CONDITIONS		ITEM NUMBER	1
CUSTOMER	ALLEGHENY	MEDIA	GLYCOL	QUANTITY	40
CUST. ENG. NO.	BRADFORD	DSGN. PRESS (PSIG)	60	SIZE	3.5 NPS
CUST. PROJ.		DSGN. TEMP. (°F)	750	MODEL NO.	35-SMF-W1
CUST. P.O. NO.	5397	AX. EXTNSN. (IN.)	---	TAG NUMBER	
SALES ORDER	6-188 - REV. 1	AX. COMP. (IN.)	.375	PREPARED BY	JWH
		LATERAL (IN.)	---	DATE	4 / 1 / 83
		ANGULAR (DEG.)	---	PAGE	1 OF 1



MATERIALS	MFGRG. NOTES	FABRICATION	TESTING
BELLOWS: A240-T304SS(.016)	SHIP WK. END. 5/13/83	<input checked="" type="checkbox"/> COMMERCIAL	<input type="checkbox"/> L.P. BELLOWS
PIPE: A269-T304SS(.083)		<input type="checkbox"/> ANSI B31.1	<input type="checkbox"/> X-RAY BELLOWS
FLANGES: _____		<input type="checkbox"/> ANSI B31.3	<input checked="" type="checkbox"/> L.P. ATTACH WEL
LINER: _____		<input type="checkbox"/> ASME SECT VIII	<input type="checkbox"/> X-RAY PIPE
COVER: _____		<input type="checkbox"/> U2 INSPECTION	<input type="checkbox"/> AIR AND SOAP
COVER RINGS: _____		<input type="checkbox"/> CASE 1177-7	<input type="checkbox"/> HYDRO @ _____ PSI
RODS (): _____		<input checked="" type="checkbox"/> CUSTOMER	<input type="checkbox"/> PNEUMATIC
NUTS: _____		<input type="checkbox"/> EJMA	<input type="checkbox"/> VACUUM
COLLARS: _____		<input type="checkbox"/> MTRS	<input type="checkbox"/> MASS SPEC.
LUGS: _____		<input type="checkbox"/> ASME SECT IX	
GUSSETS (): _____		<input type="checkbox"/> WPS/PQR APPRVL	DRAWINGS
REINF. RINGS: _____		<input type="checkbox"/> OTHERS	<input type="checkbox"/> APPROVAL
			<input type="checkbox"/> RECORDS
			PAINT
			<input type="checkbox"/> STANDARD
			<input checked="" type="checkbox"/> NONE

THE INFORMATION DISCLOSED HEREON WAS ORIGINATED BY AND IS THE SOLE PROPERTY OF BADGER EXPANSION JOINT COMPANY WHICH HOLDS THE RIGHTS OF REPRODUCTION, MANUFACTURING, DESIGN, USE, SALE, AND PATENTS UNLESS PERMISSION IS EXPRESSLY AUTHORIZED IN WRITING BY THE COMPANY.